



TROJAN SPECIALTY PRODUCTS

INSTALLATION INSTRUCTIONS CABLE HEATER

Part #: 15450

This heater is intended for use in keeping water supply pipes & hoses ice free. To install, connect one wire to the neutral (white) wire, the other to the witted wire of the thermostat along with the other heater(s)). Attach the green wire to the ground screw at the wire junction.

Uncoil the cable heater, being careful not to kink it, and attach it to the valve as shown (Figure 1). Attach the remaining part of the cable heater to the water supply as far down the supply tile as possible with cable twist ties or tape, being careful not to allow the cable heater to cross over itself as that would create a hot spot which could damage the unit (Figure 2).

CAUTION - Although this heater may touch supply pipes, hoses or electric wires without damage, wrapping or insulating the heater may cause damage. Installation must not cause any strain on wiring connections.

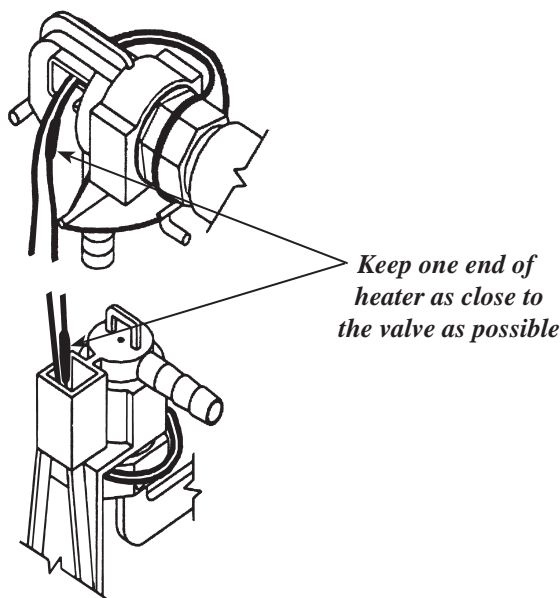


Figure 1

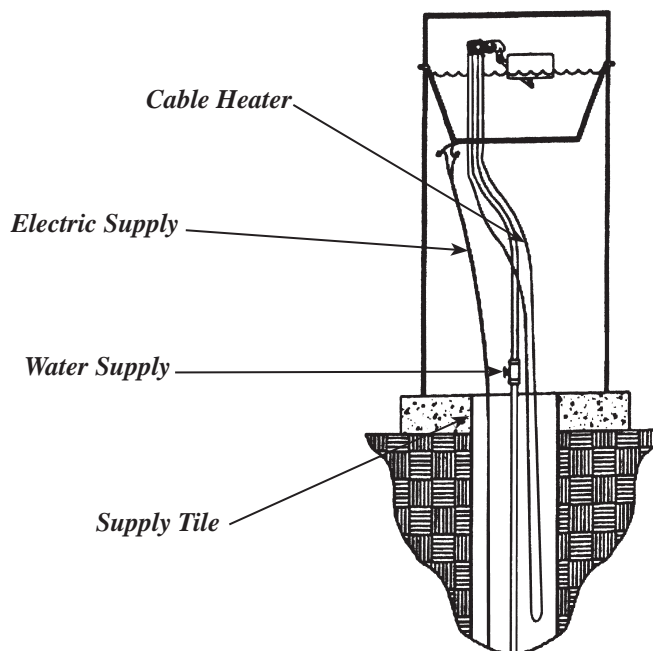


Figure 2

WARRANTY FOR TROJAN SPECIALTY PRODUCTS

TROJAN SPECIALTY PRODUCTS, warrants product to be free of defective materials and workmanship. Defective part(s) will be repaired or replaced, at the option of TROJAN SPECIALTY PRODUCTS. This warranty specifically excludes all labor and shipping charges.

This warranty does not apply to any appearance items, to any product whose exterior has been damaged or defaced, to any product subjected to misuse, abnormal service or handling, and to any products altered or repaired with other than original equipment manufacturers parts. The period of warranty begins at original date of purchase and extends for one year.

All warranty claims must be processed thru TROJAN SPECIALTY PRODUCTS.

Beck Sales Company., 'dba' TROJAN SPECIALTY PRODUCTS
10860 U.S. Hwy 50 — P.O. Box 1735 — Dodge City, Ks 67801
Toll Free: 800-279-1770 — Phone: 620-225-1770 — FAX: 620-225-6521
E-mail: info@becksales.net — Web: www.trojanlivestock.com